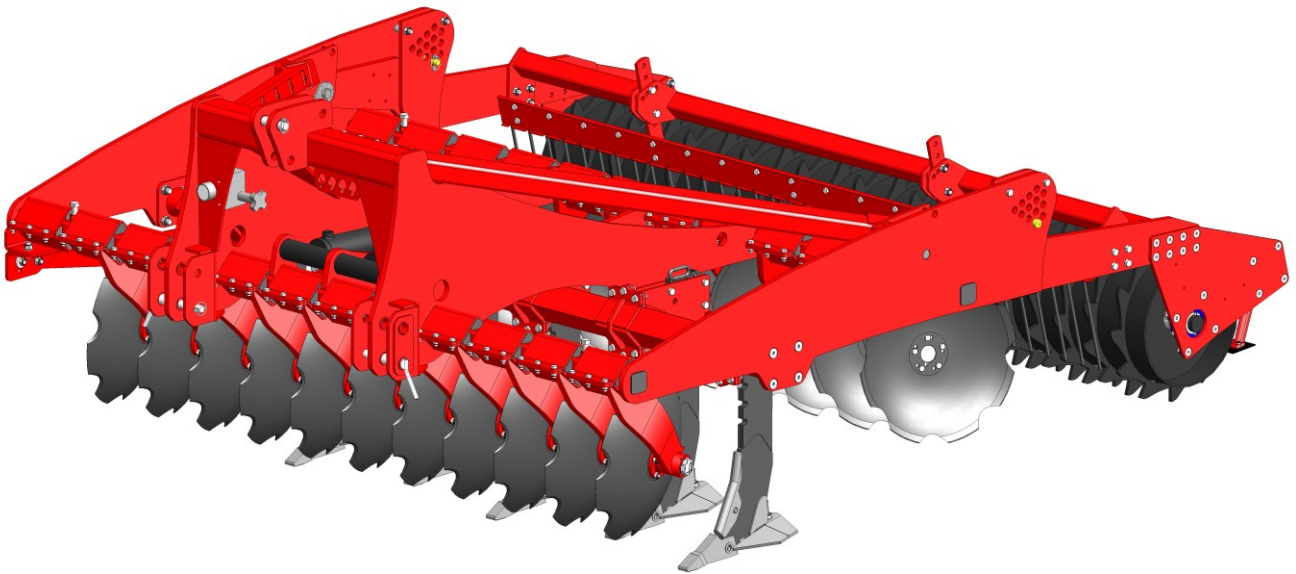


ONDERDELENLIJST
PARTS LIST
LISTE DE PIECES DE RECHANGE
ERSATZTEILLISTE

Multidisc XL Vario

300



956-400-006-001

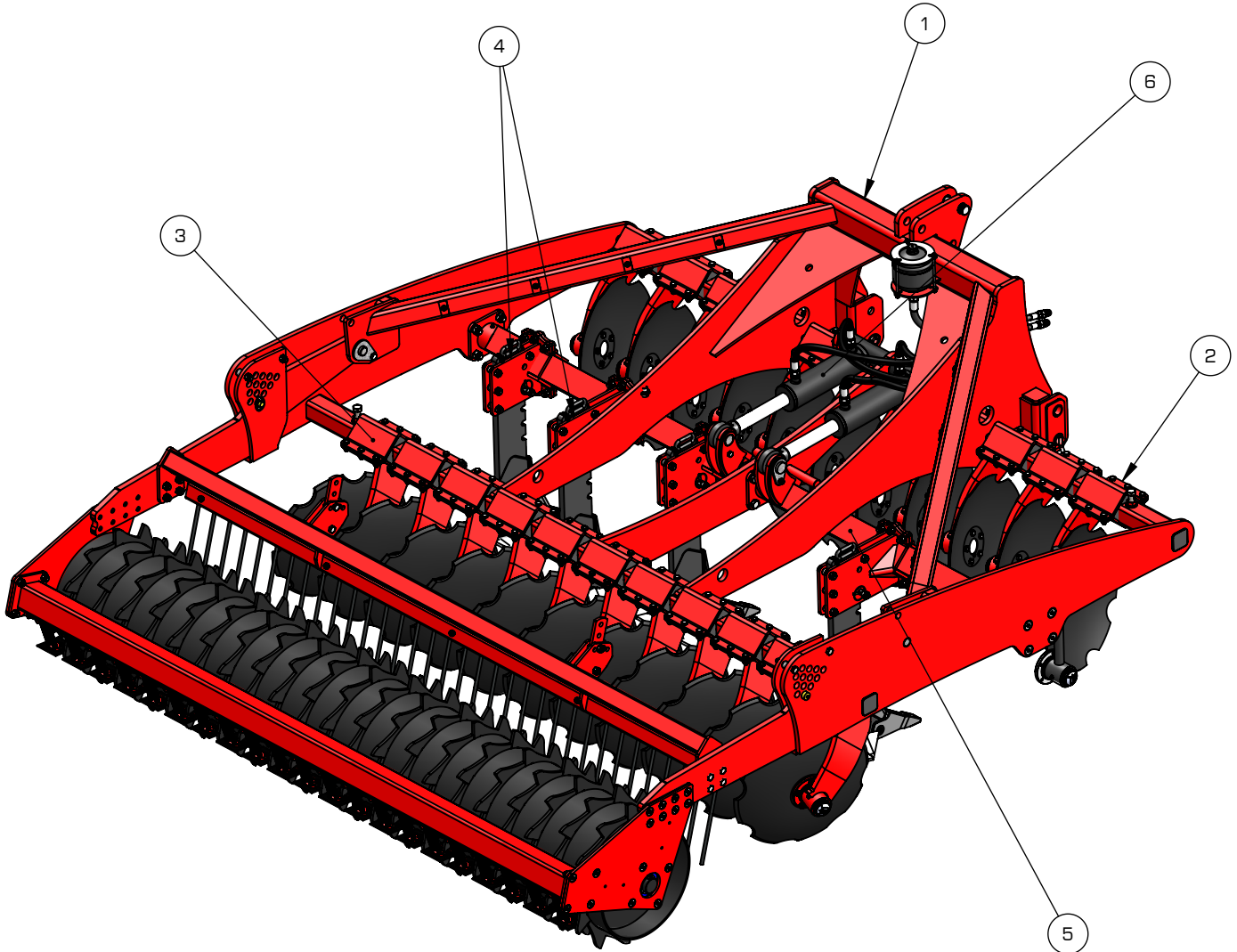


PEETERS LANDBOUWMACHINES B.V.

Munnikenheiweg 47 · 4879 NE Etten-Leur · Nederland
T: +31 (0)76 5046666 · F: +31 (0)76 5046699 · E: info@tulipindustries.com

790-300-000-930

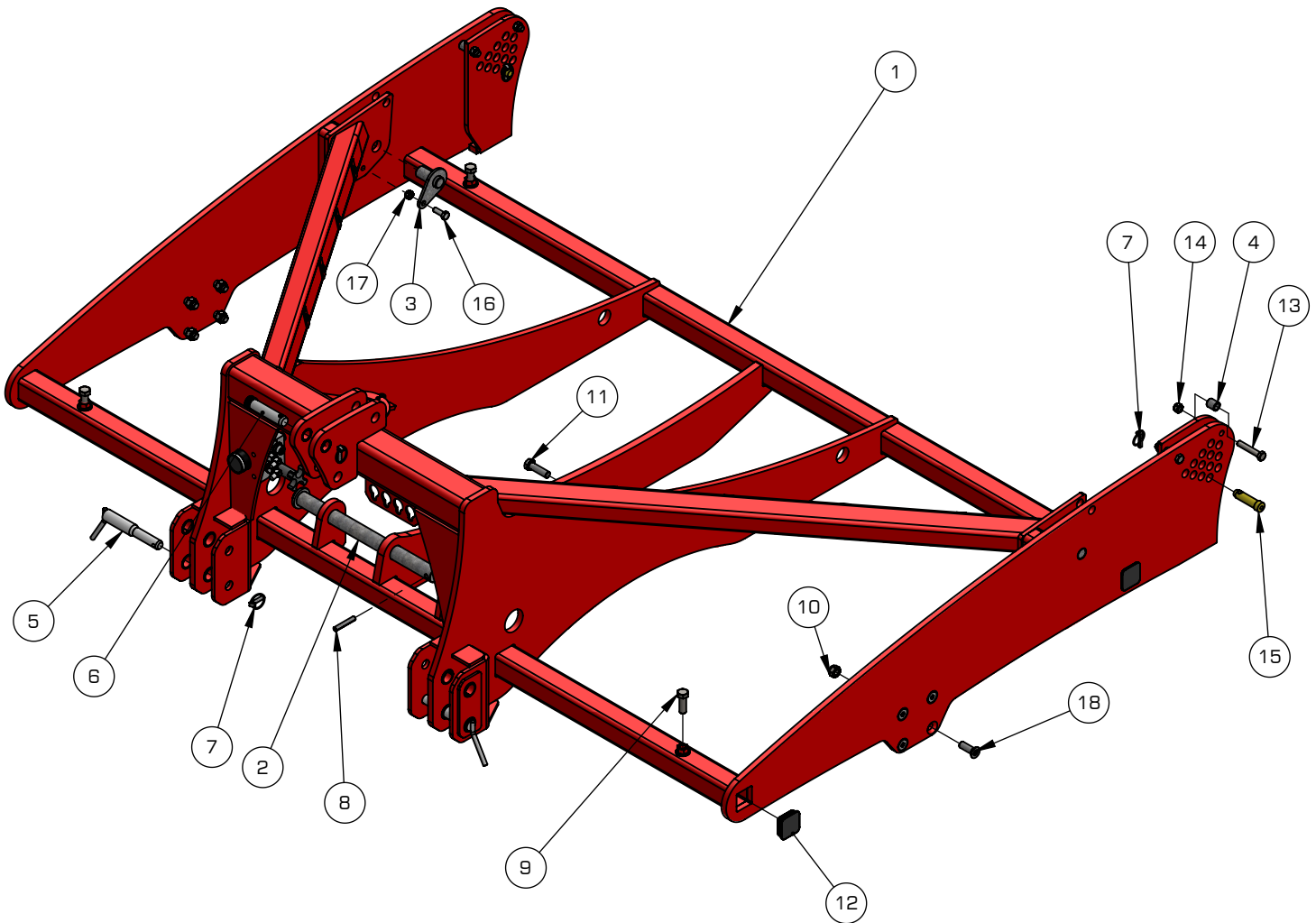
Complete assembly
Multidisc XL Vario



Item	Description	Page
1	Main frame	2
2	Front disc assembly	3
3	Rear disc assembly	4
4	Tine assemblies	5-6-7
5	Tine Beam	8
6	Hydraulic circuit	9
7	Roller arms	10
8	Stickers	11

790-300-001-930

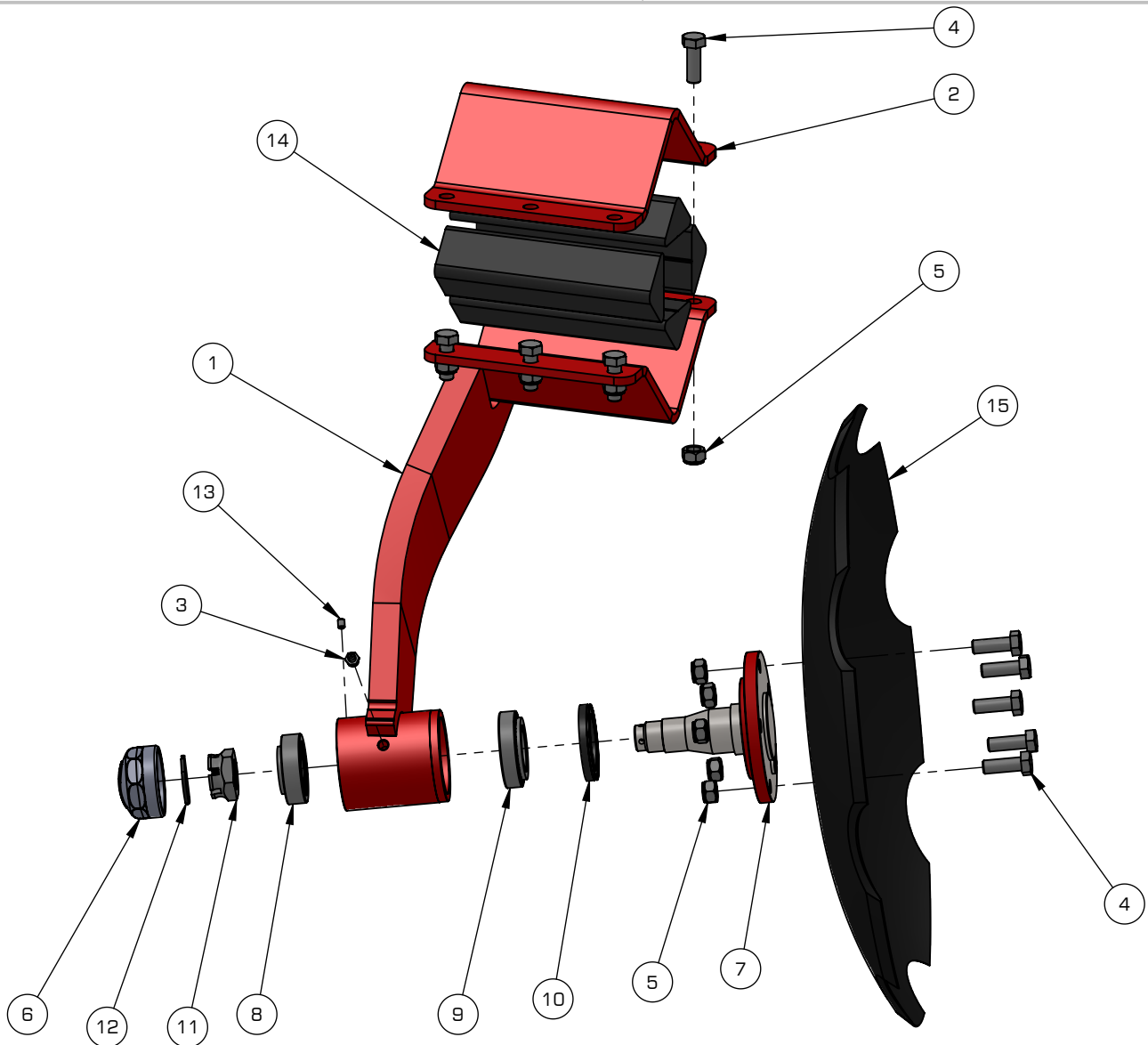
Main frame
Multidisc XL Vario



ITEM NO.	PART NUMBER	DESCRIPTION	QTY.
1	790-300-001-530	XL Vario frame 300	1
2	790-300-001-513	Cylinder mounting pin Ø45	1
3	790-300-001-516	Pin Ø35 rollerarm	2
4	790-300-001-052-01	Bush L=30mm	4
5	1-1655-0530-0	(Cat. 2 + Cat. 3)	2
6	760-030-002	Ø32 - L=125mm.	1
7	9-1123-0002-3	Clip Ø11mm	5
8	9-1070-0051-2	Clamping pin Ø13 - L=80mm	1
9	961-002-051	Bolt M20X60 DIN 933 8.8	4
10	961-041-015	Nut M20 DIN 985 8.8	12
11	961-002-053	Bolt M20X70 DIN 933 8.8	4
12	760-010-005	70 x 70 x 2-4	4
13	961-001-034	Bolt M16X90 DIN 931 8.8	4
14	961-041-012	Nut M16 DIN 985 8.8	4
15	960-030-112	Pin Ø25 L=120mm	2
16	961-002-030	Bolt M14X40 DIN 933 8.8	2
17	961-041-010	Nut M14 DIN 985 8.8	2
18	961-005-060	M16X60 PK DIN 7991 10.9	8

747-300-003-916

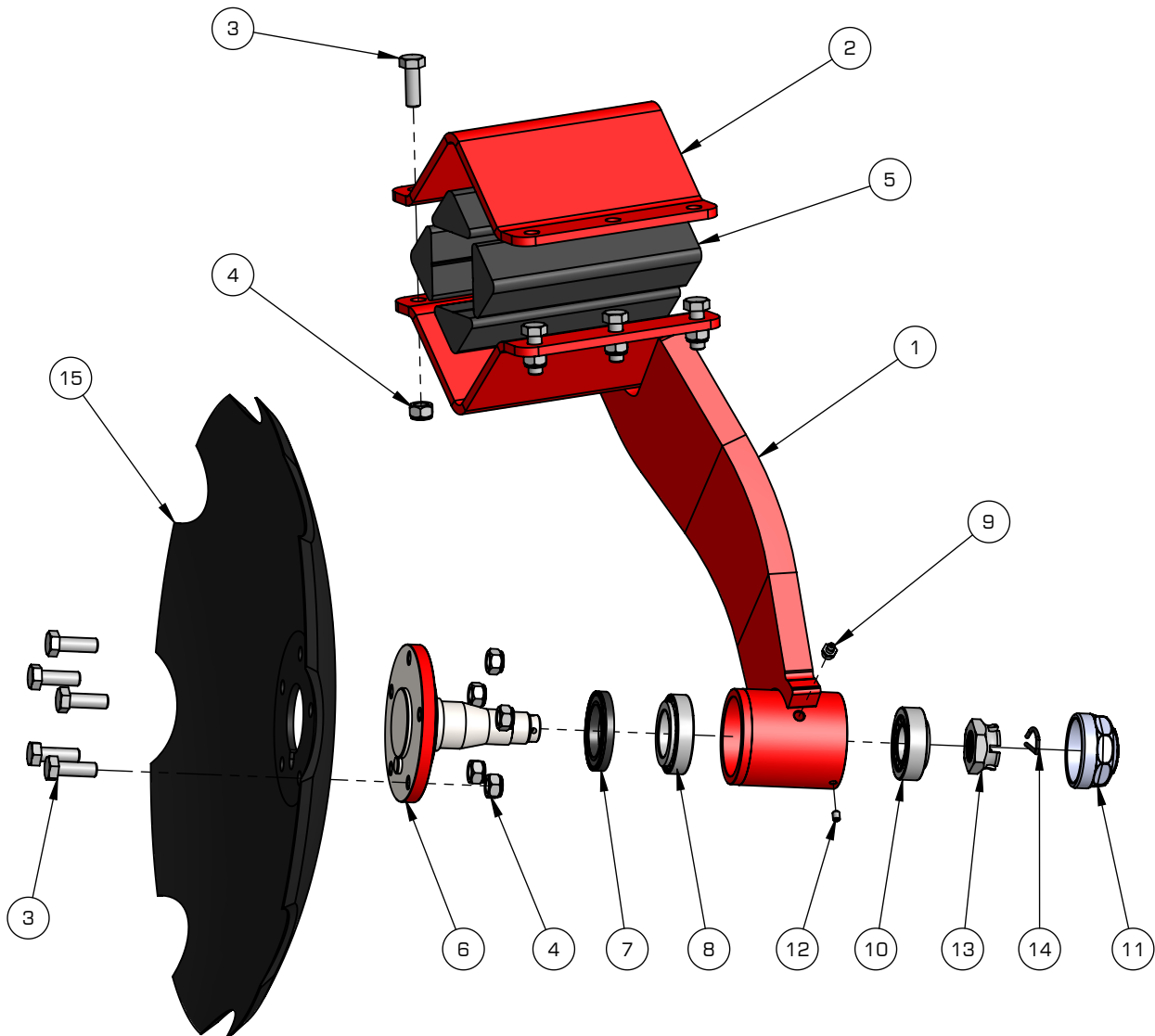
Front disc assembly
Multidisc XL vario



ITEM NO.	PART NUMBER	DESCRIPTION	Default/QTY
1	747-300-003-518	Front disc element	1
2	745-300-003-022	Clamping plate	1
3	959-095-014	Vetnippel 1/8" gas - 180 deg.	1
4	961-002-097	Bolt M12X35 DIN 933 10.9	11
5	961-041-009	Nut M12 DIN 985 8.8	11
6	951-905-047-01	Cover	1
7	951-901-057	Disc hub	1
8	957-010-112	Taper roller bearing 32206JR (Koyo)	1
9	957-010-155	Taper roller bearing 32008JR (Koyo)	1
10	959-097-072	Seal 45-68-9.5	1
11	951-901-059	Nut M27x1,5	1
12	960-030-214	Clip Ø 3mm	1
13	961-060-001	Lock bolt DIN 914-M6x8-10.9	1
14	760-010-020	Rubber triangle Multidisc	4
15	760-020-058	Multidisc disc Ø560 x 6 mm	1

747-300-003-915

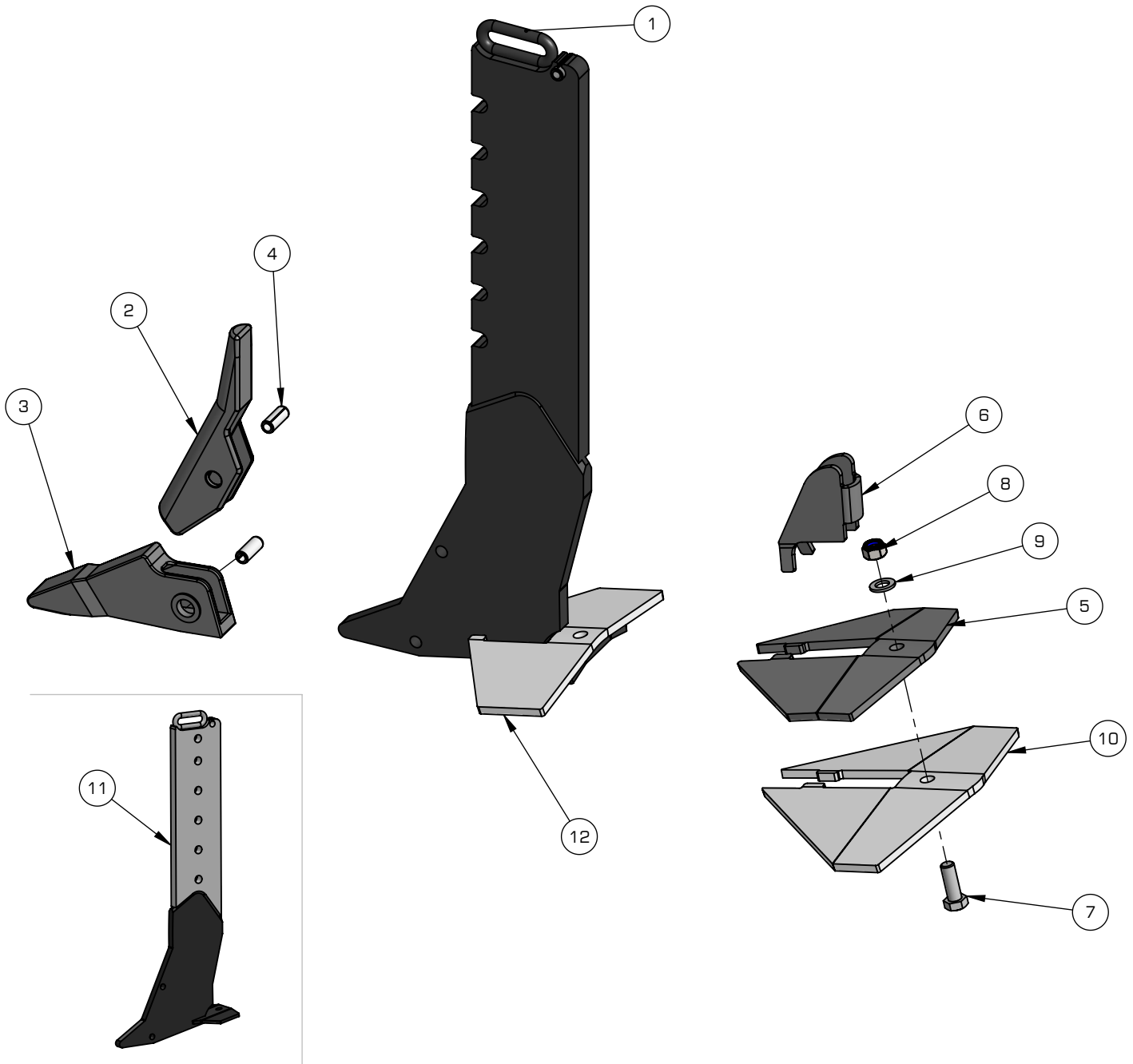
Rear disc assembly
Multidisc XL Vario



ITEM NO.	PART NUMBER	DESCRIPTION	Default/QTY
1	747-300-003-517	Rear disc element	1
2	745-300-003-022	Clamping plate	1
3	961-002-097	Bolt M12X35 DIN 933 10.9	11
4	961-041-009	Nut M12 DIN 985 8.8	11
5	760-010-020	Rubber triangle Multidisc	4
6	951-901-057	Disc hub	1
7	959-097-072	Seal 45-68-9.5	1
8	957-010-155	Taper roller bearing 32008JR (Koyo)	1
9	959-095-014	Vetnippel 1/8" gas - 180 deg.	1
10	957-010-112	Taper roller bearing 32206JR (Koyo)	1
11	951-905-047-01	Cover	1
12	961-060-001	Lock bolt DIN 914-M6x8-10.9	1
13	951-901-059	Nut M27x1,5	1
14	960-030-214	Clip Ø 3mm	1
15	760-020-058	Multidisc disc Ø560 x 6 mm	1

760-020-073

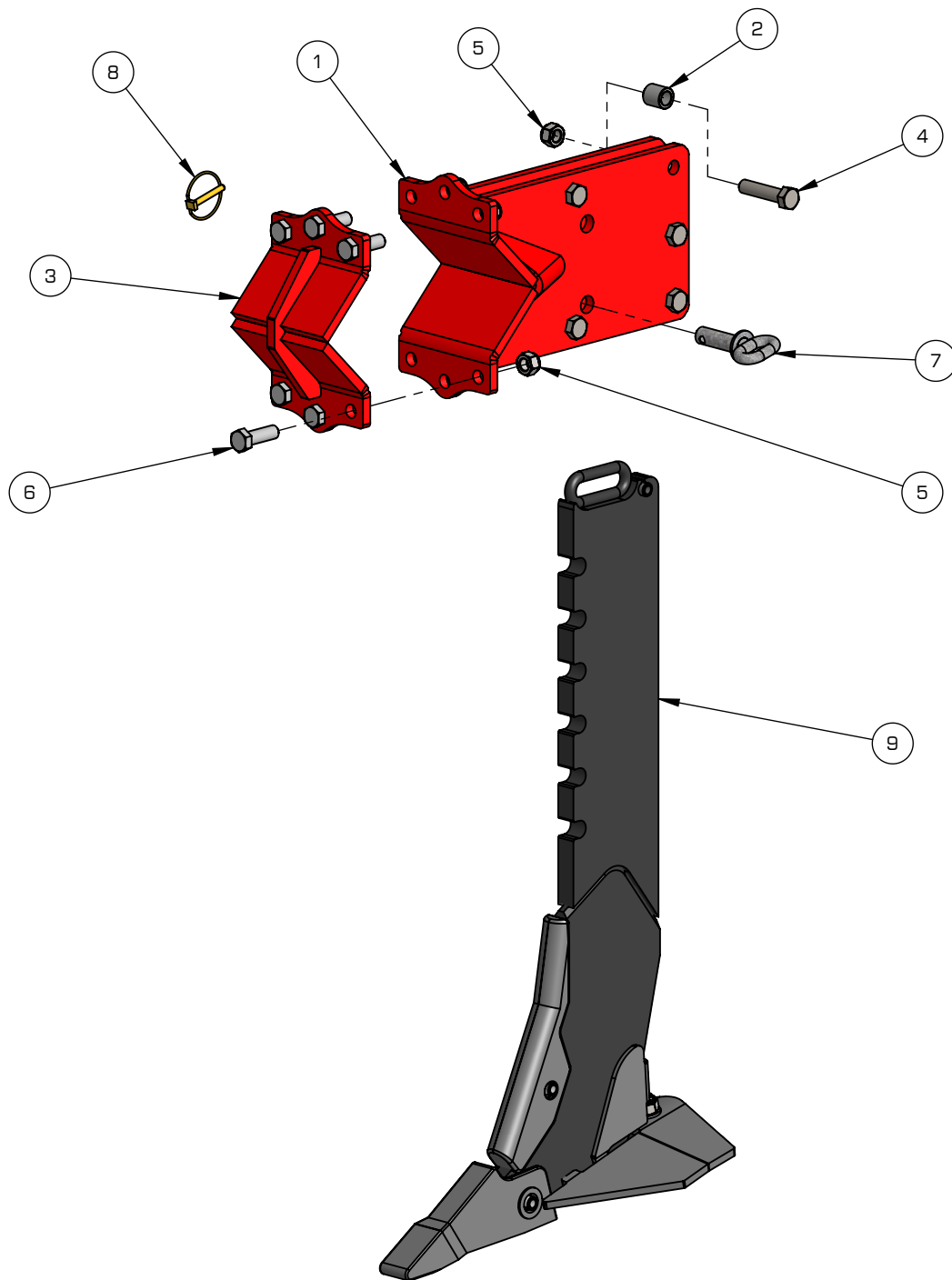
Tine complete (ass.) V4
Multidisc XL Vario



ITEM NO.	PART NUMBER	DESCRIPTION	QTY.
1	760-020-071	Leg complete	1
2	760-020-069	Wear shin	1
3	760-020-068	wear point	1
4	961-166-008	Dowel pin Ø16x40 DIN 1481	3
5	760-020-064	wing high (265 mm)	1
6	760-020-067	Wear heel	1
7	961-002-041	Bolt M16X45 DIN 933 8.8	1
8	961-041-012	Nut M16 DIN 985 8.8	1
9	961-020-011	Washer M16 DIN 125A	1
10	760-020-066	wing wide (350 mm)	1
11	760-020-072	Leg complete for tineholder V2	~
12	760-020-065	wing low (300 mm)	1

790-300-003-906-01

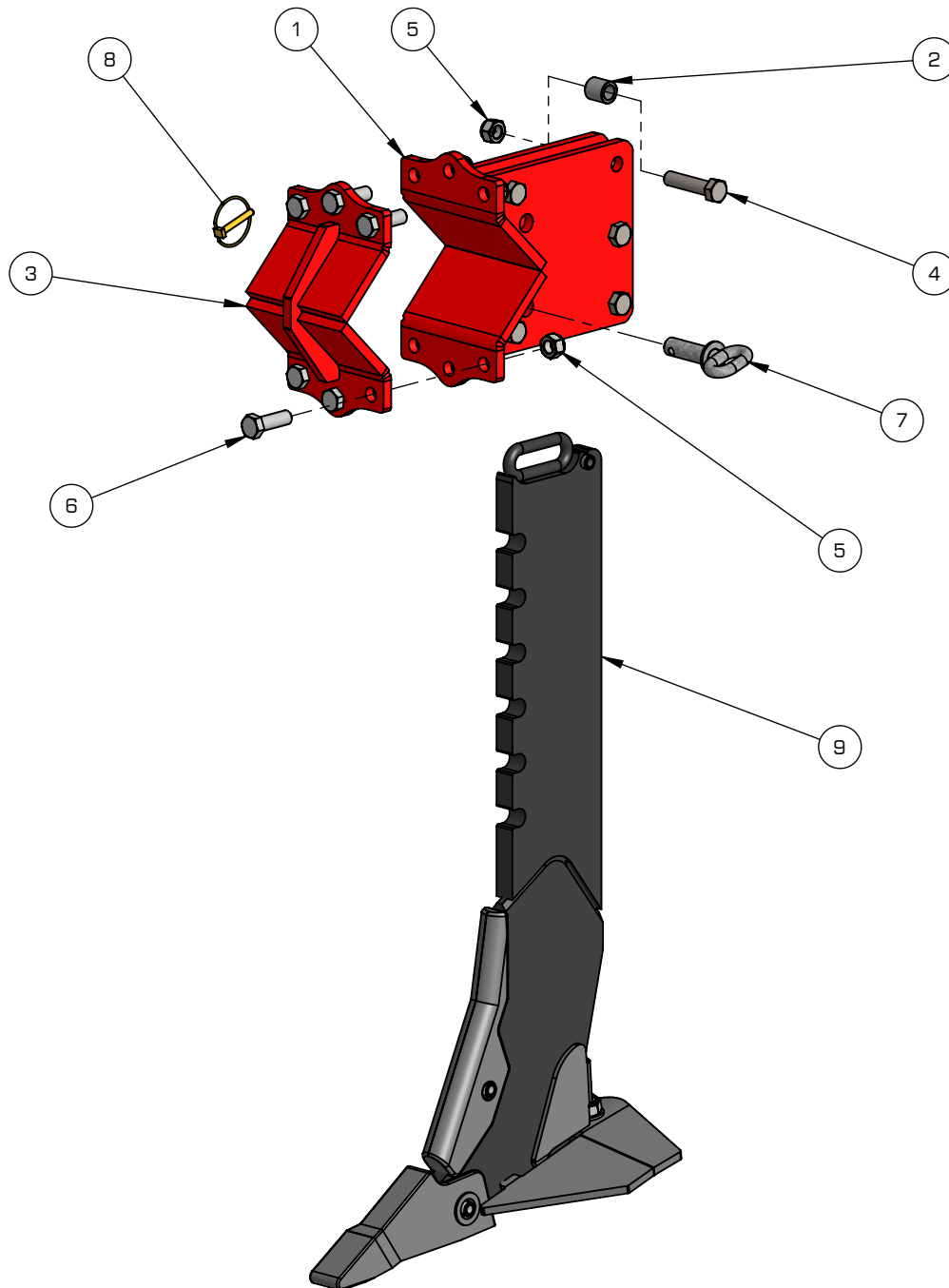
*Tine V4 assembly long tineholder
Multidisc XL Vario*



ITEM NO.	PART NUMBER	DESCRIPTION	QTY.
1	790-300-001-522	Tineholder long V3.1	1
2	790-300-003-003	Bush L=30mm	5
3	790-350-003-502	Clamping plate	1
4	961-001-075	Bolt M16X70 DIN 931 8.8	5
5	961-041-012	Nut M16 DIN 985 8.8	11
6	961-001-064	Bolt M16X50 DIN 931 8.8	6
7	790-300-003-501	Adjusting Pin	1
8	960-030-130	Clip Ø7 - L=50	1
9	760-020-073	Tine complete (ass.) V4	1

790-300-003-905-01

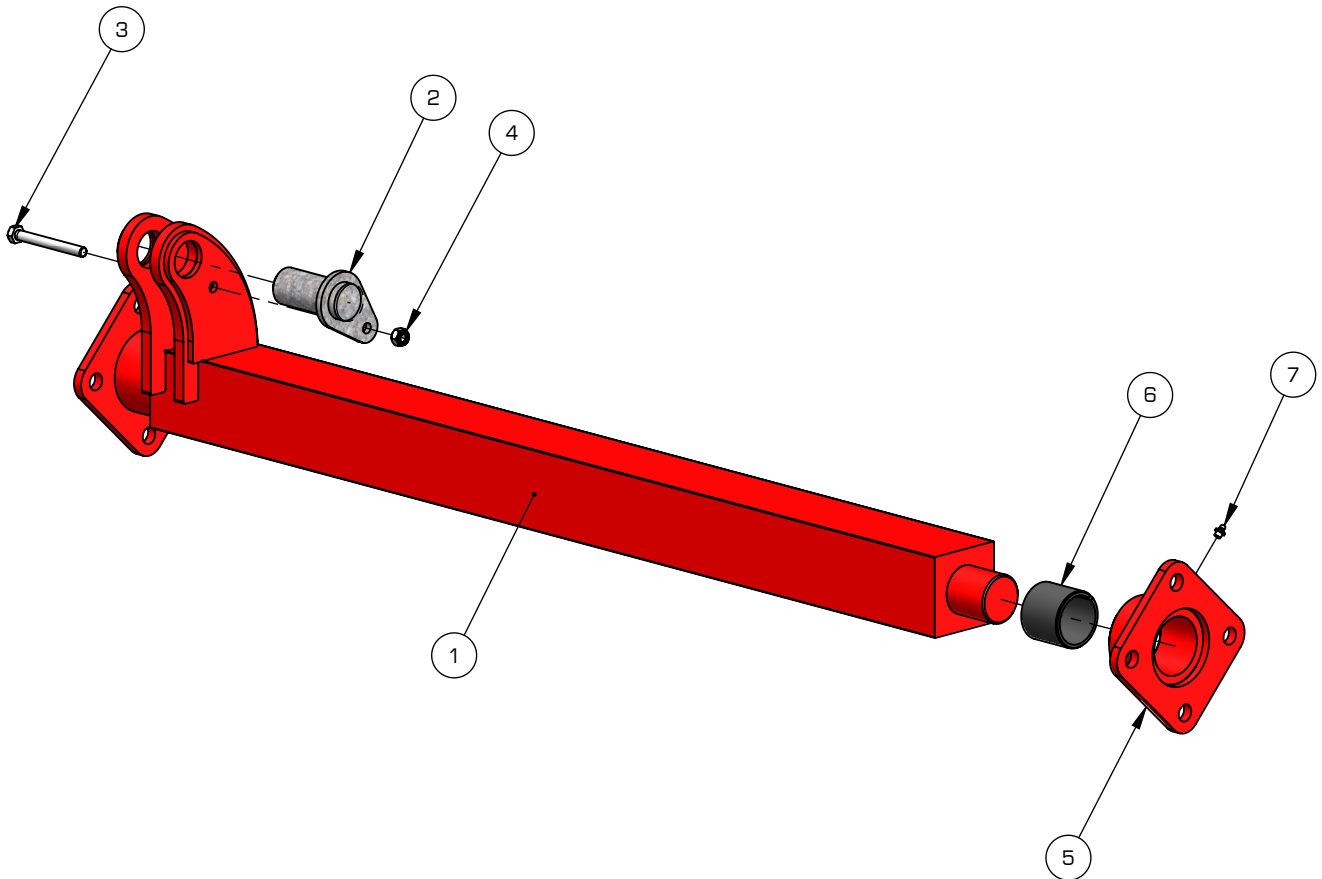
*Tine V4 Assembly Short tineholder
Multidisc XL Vario*



ITEM NO.	PART NUMBER	DESCRIPTION	QTY.
1	790-300-001-521	Tineholder short V3.1	1
2	790-300-003-003	Bush L=30mm	5
3	790-350-003-502	Clamping plate	1
4	961-001-075	Bolt M16X70 DIN 931 8.8	5
5	961-041-012	Nut M16 DIN 985 8.8	11
6	961-001-064	Bolt M16X50 DIN 931 8.8	6
7	790-300-003-501	Adjusting Pin	1
8	960-030-130	Clip Ø7 - L=50	1
9	760-020-073	Tine complete (ass.) V4	1

790-300-003-916

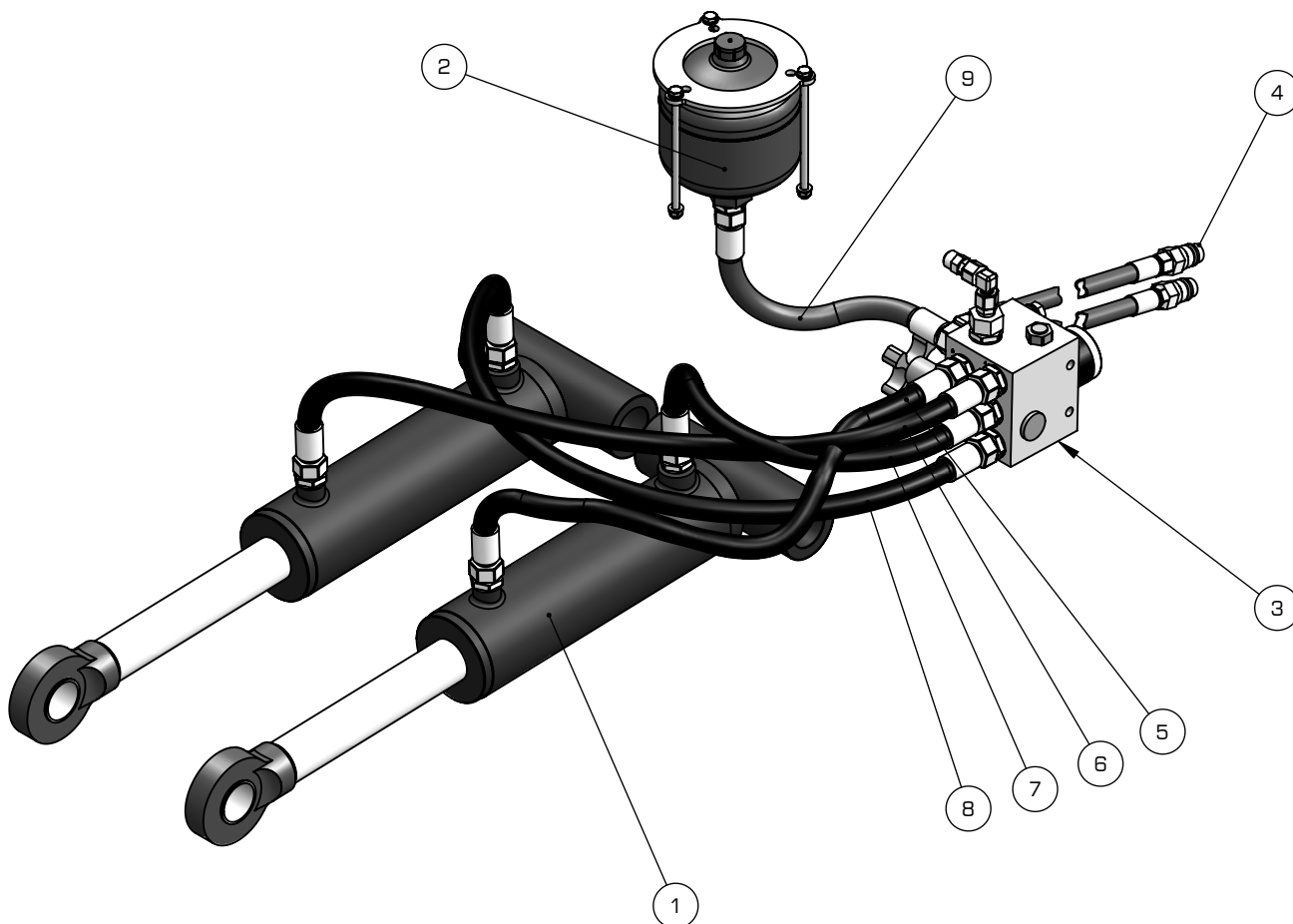
Tine beam Left
Multidisc XL Vario



ITEM NO.	PART NUMBER	DESCRIPTION	QTY./unit
1	790-300-003-517-01	Left tine beam (3mtr)	1
	790-300-003-515-01	Right tine beam (3mtr) - [not shown]	(1)
2	790-300-003-516	Pin Ø45	1
3	961-001-009	Bolt M12X110 DIN 931 8.8	1
4	961-041-009	Nut M12 DIN 985 8.8	1
5	790-350-020-506	Mounting bracket	2
6	957-010-006	Hard steel bush d60xD70x60 DIN1498	2
7	959-095-008	Grease nipple M8x1.25 - 180 deg.	2

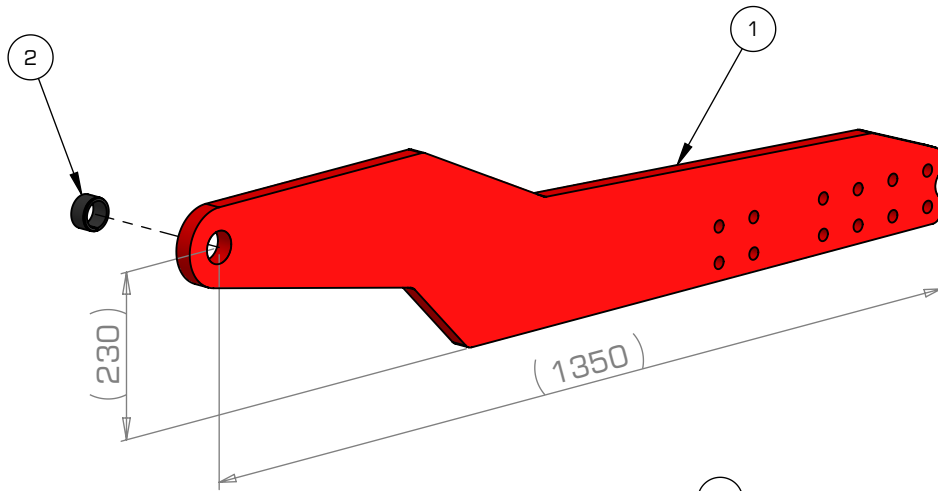
790-300-000-930

*Complete assembly
Multidisc XL Vario*

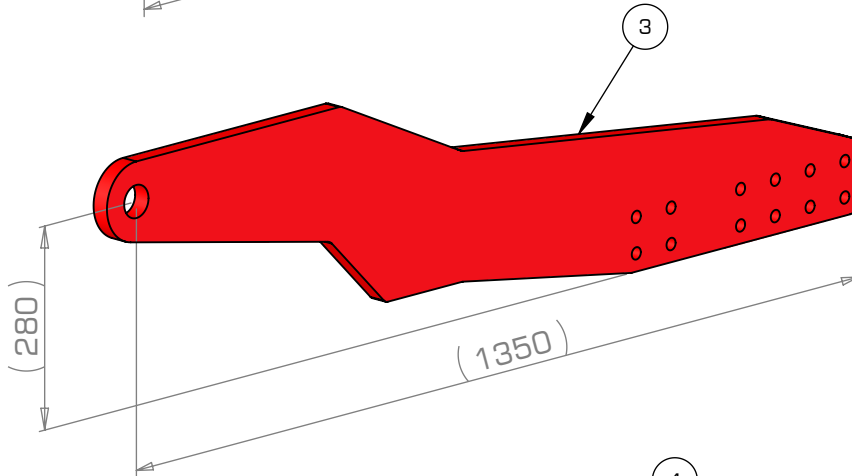


ITEM NO.	PART NUMBER	DESCRIPTION	QTY.
1	955-700-003-901		2
2	959-005-006	Accumulator 1,40 liter - 50 bar	1
3	959-061-152	Manifold	1
4	759-006-400	Hose L= 1500mm (>tractor)	2
5	959-001-549	5/8" x 710 /18L/18L/WD=250 bar	1
6	959-001-551	5/8" x 920 /18L/18L/WD=250 bar	1
7	959-001-548	5/8" x 620 /18L/18L/WD=250 bar	1
8	959-001-550	5/8" x 840 /18L/18L/WD=250 bar	1
9	959-001-547	5/8" x 460 /18L/18L/WD=250 bar	1

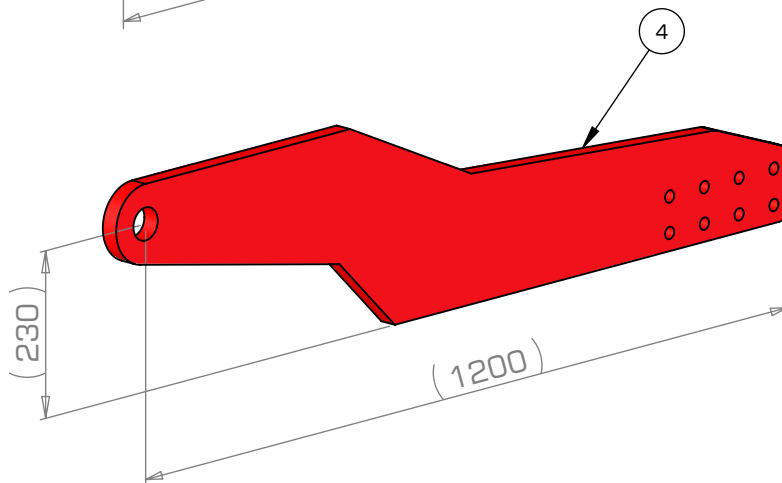
<h1>790-300-006-900</h1>	
<p><i>Roller arm</i> <i>Multidisc XL Vario</i></p>	



- Packer roller Ø600
- Ring roller Ø600



- Packer roller Ø500
- Open roller Ø520



- Packer roller Ø600
- Ring roller Ø600

ITEM NO.	PART NUMBER	DESCRIPTION	QTY./machine
1	790-300-006-101		2
2	957-010-167	Hard steel bush d37xD46x25 DIN1498	2
3	790-300-006-102		(2)
4	790-300-006-100		(2)